

## Ceramic Micro-Filtration MF-7



### PRODUCT SPECS

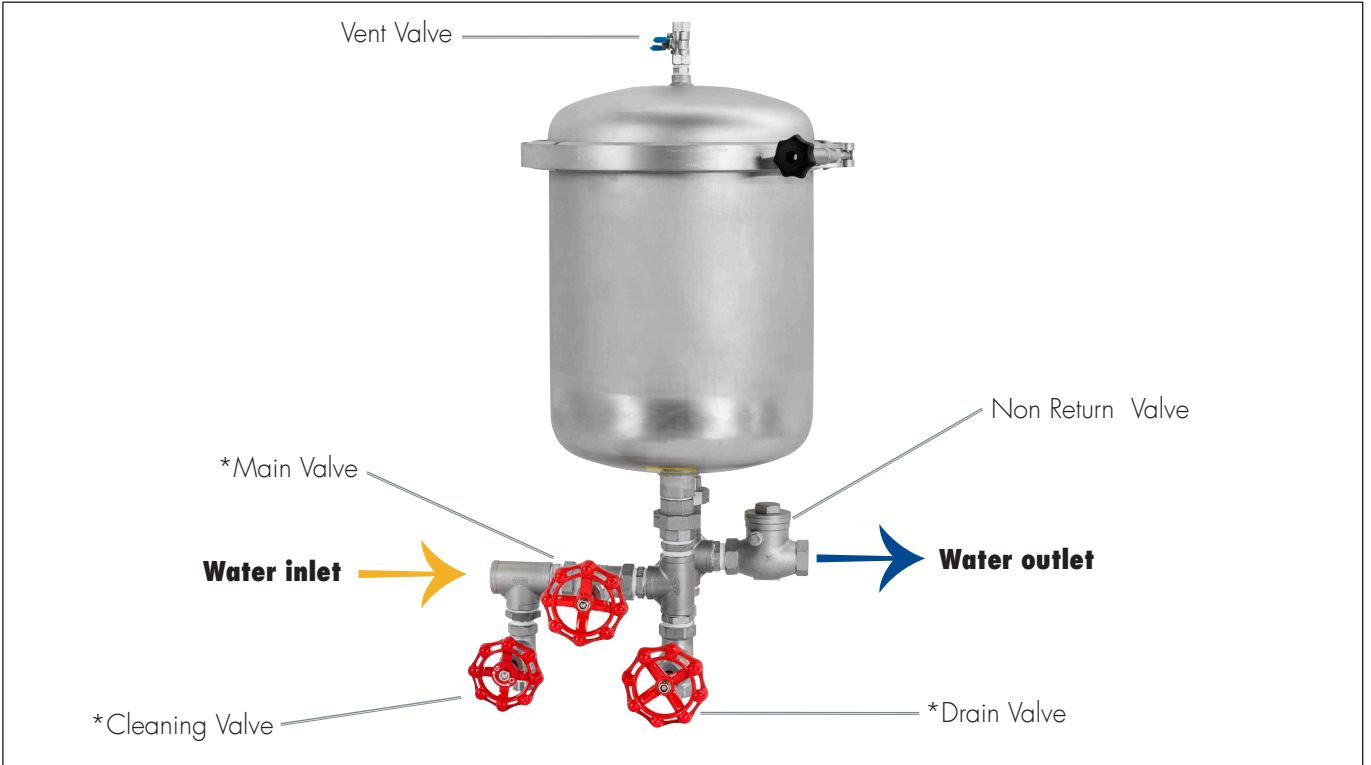
Article No.:	7010643 MF-7 Filter housing, stainless steel
Article No.:	7010644 Inlet fitting set
Technology:	0.2 micron nom., ceramic depth filter (cleanable)/(0.2 micron = 0.0002 mm)
Effect:	Removes bacteria, cysts and sediment
Filter Elements:	7 pieces
Output:	24 l/min @ 4 bar
Pressure:	1 to 6 bar
Water Temp:	5 to 60°
Capacity:	up to 100'000 liters per filter element, depending on water quality
Weight:	Approx. 30kg (dry)
Height:	604 mm
Diameter:	378 mm
Guarantee:	2 years
Material:	1.4404 stainless steel

### FEATURES

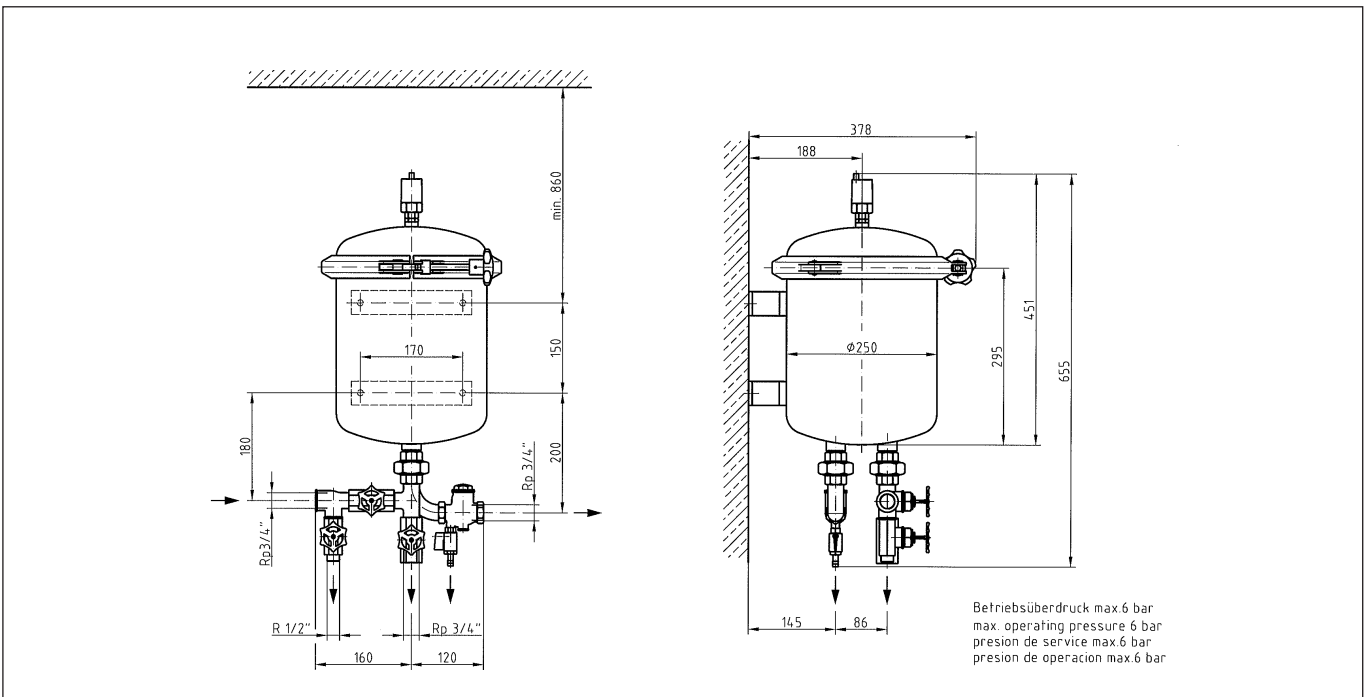
- High-quality stainless-steel equipment
- 99.9999% removal of pathogenic bacteria (e.g. Klebsilla and Vibrio cholera).
- 99.9% removal of protozoa (e.g. Cryptosporidium p. and Giardia l.).
- No removal of essential minerals
- Easy low-cost operation
- up to 100 cleaning cycles are possible for the ceramic filter elements
- Non-return-valve on the water outlet included
- Wall mounting brackets included

**Ceramic Micro-Filtration MF-7**

**DIMENSION AND CONNECTION**

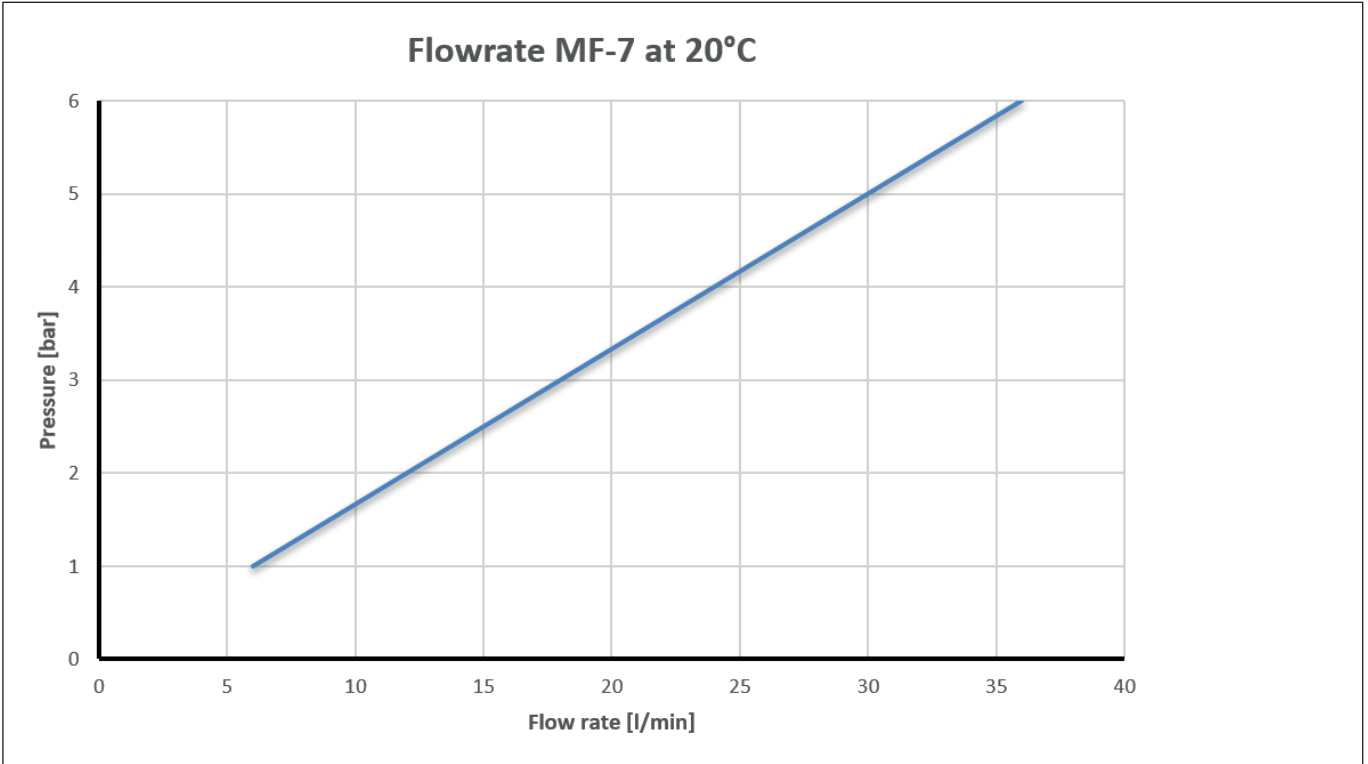


\*Part of inlet fitting set Art. No. 7010644



**Ceramic Micro-Filtration MF-7**

**PERFORMANCE**



<b>COMPATIBLE FILTER ELEMENTS</b>		
Article No.		
1040	Filter Element No. 4	0.2 micron, end caps brass chrome-plated
1250	Filter Element No. 5	0.2 micron, end caps stainless steel
20616	Filter Element Cleaning Brush	

**Katadyn Products Inc.**  
 Pfäffikerstrasse 37 | 8310 Kempthal, Switzerland  
 Tel: +41 44 839 21 47 | Fax: +41 44 839 21 11  
 info@katadyn.com [www.katadyn.com](http://www.katadyn.com)

Katadyn reserves the right to make changes to this fact sheet.  
 Version: 24.03.2020